

US VACUUM

General Purpose Dry Screw Vacuum Pump



The SVP series is a positive displacement, air-cooled, rotary screw type, dry running non-contacting vacuum pump. The non-contact design eliminates internal wear and maintenance resulting in a highly reliable and durable pump. No cooling water or sealing oil is required in the pumping chamber resulting in a clean and oil-free exhaust environment.

The pump incorporates two screw shaped rotors that rotate in opposite directions to compress and move the process air through the pump and to the exhaust muffler/silencer. The rotors are synchronized by precision timing gears that are splash lubricated for a long and trouble-free life.

The pump is available with single-phase or three phase motor. Standard accessories include pump, electric motor, inlet screen and mounting feet.

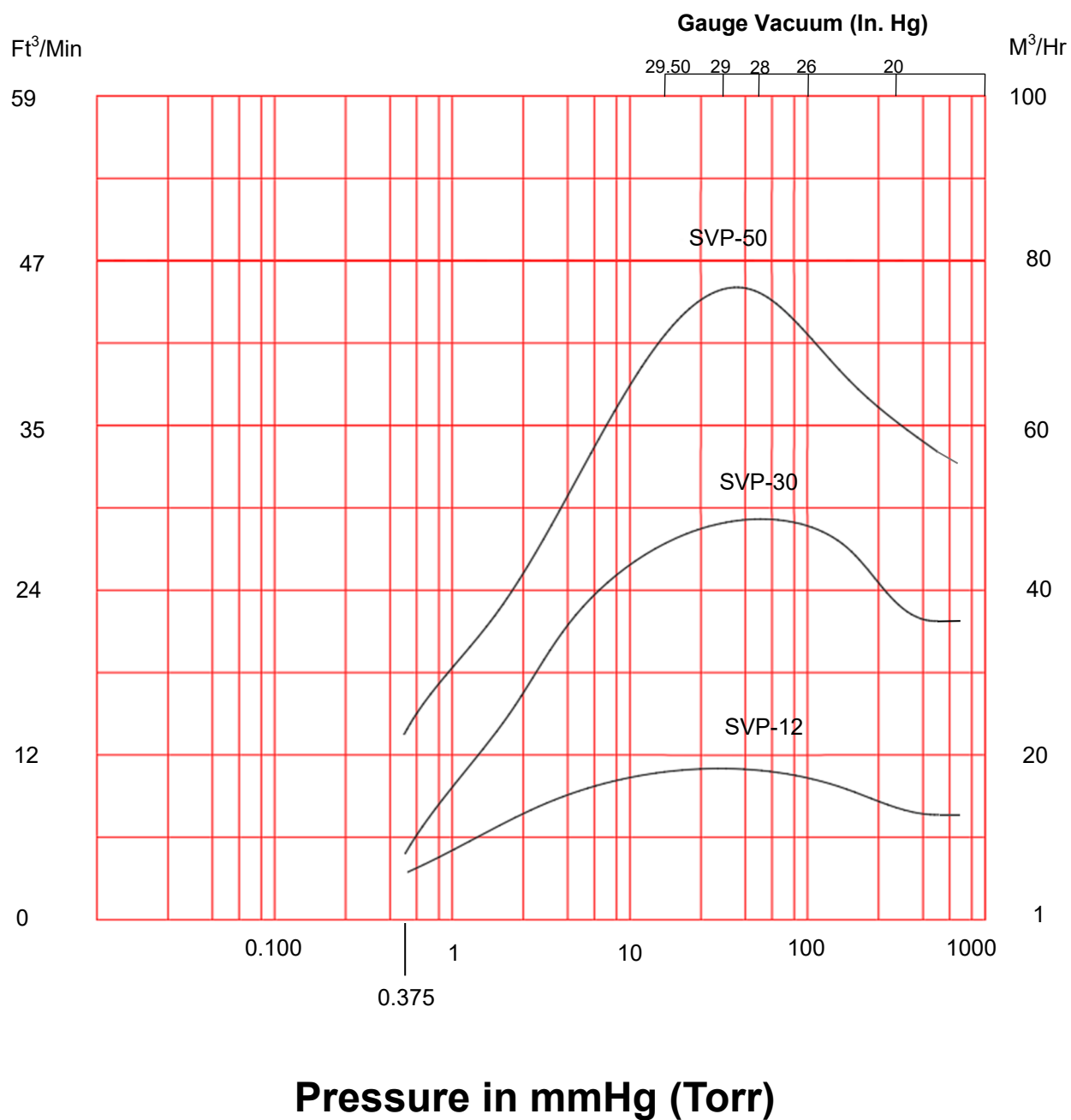
FEATURES

- Max Vac to 0.375mmHg (Torr)
- Air-Cooled operation
- Oil-Free (Dry) pumping chamber
- Very low maintenance required
- Simple single-stage design
- Suitable for variable speed drives



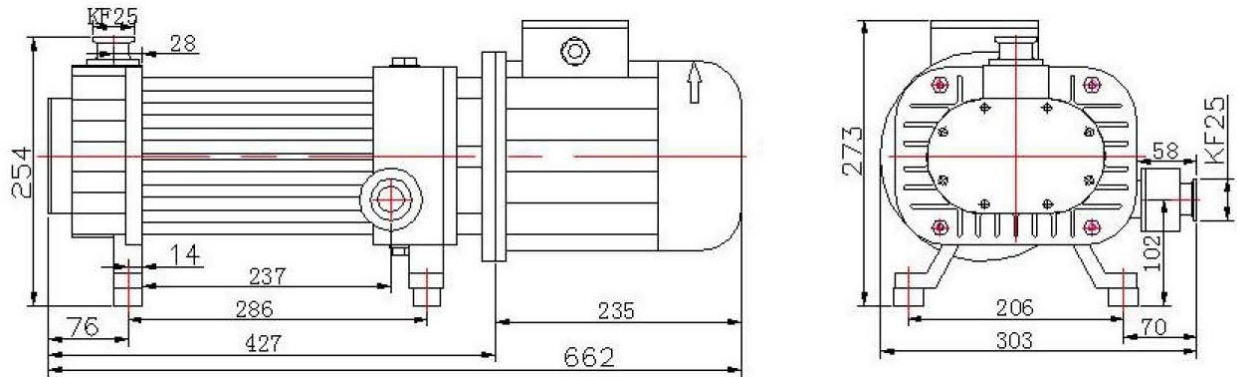
PUMP MODEL		SVP-12	SVP-30	SVP-50
Nominal Capacity	CFM	12	27	47
Speed	RPM	3450	3450	3450
Motor-Hp	HP	1.5	2	3
Noise level at 60 Torr	db(A)	71	72	73
Inlet Connection	Inch	KF25 (1")	KF40(1.5")	
Discharge Connection	Inch	KF25 (1")		
Ultimate Vacuum Continuous	Torr	0.375 mmHg (Torr)		

PERFORMANCE SVP 12/30/50

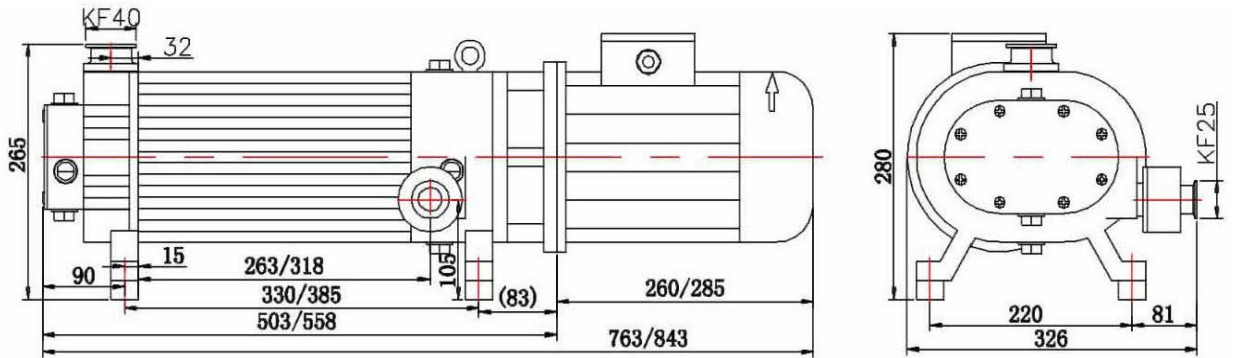


DIMENSIONS (mm)

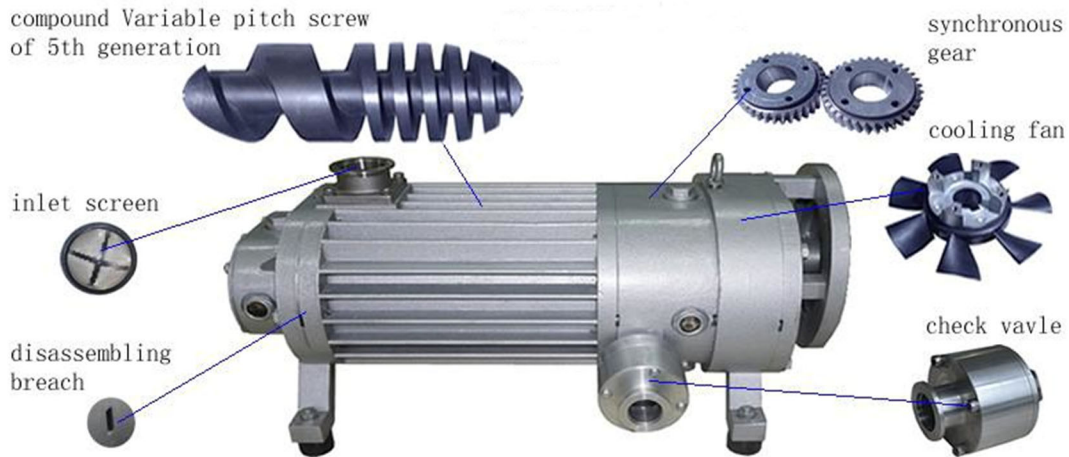
SVP12



SVP 30/50



Inches = mm/25.4



US VACUUM

US Vacuum Pumps LLC
 P.O. Box 909 Canton, TX 75103
 Phone: (888) 416-7366 Fax: (877) 416-7599
 WEB: www.usvacuumpumps.com