

US VACUUM

Dry Scroll Vacuum Pump

(7-11 cfm)



The DS series oil free Dry Scroll vacuum pumps are air-cooled, scroll vacuum pump capable of producing pressures down to 0.008mBar (6 microns Hg). Higher flow than competitive pumps, you will achieve faster evacuation time to your target pressures to get your task job done fast and on-time. No cooling water or sealing oil is required resulting in a clean and oil-free exhaust environment.

The pumps are used widely in medical equipment, electronics, vacuum drying applications, research, laboratory, degassing and leak detection. Anodized aluminum and PTFE construction for oxidation-free operation.

The pumps come standard with 120v, 60hz power cord with N. American plug.

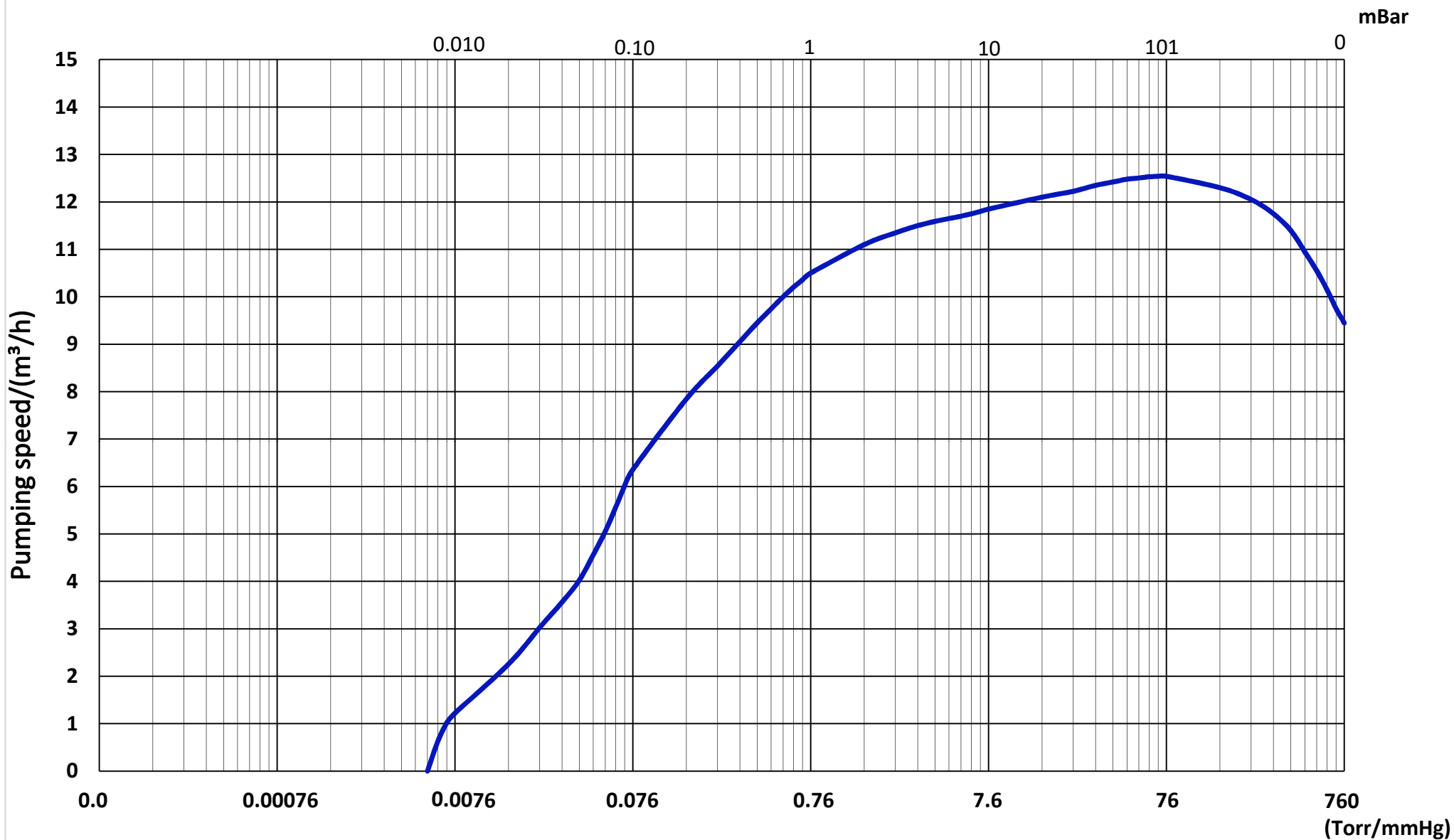
FEATURES

- Max Vac to 6 Microns Hg
- Oil-Free operation
- Very low maintenance required
- Simple single-stage design
- High Flow Capacity

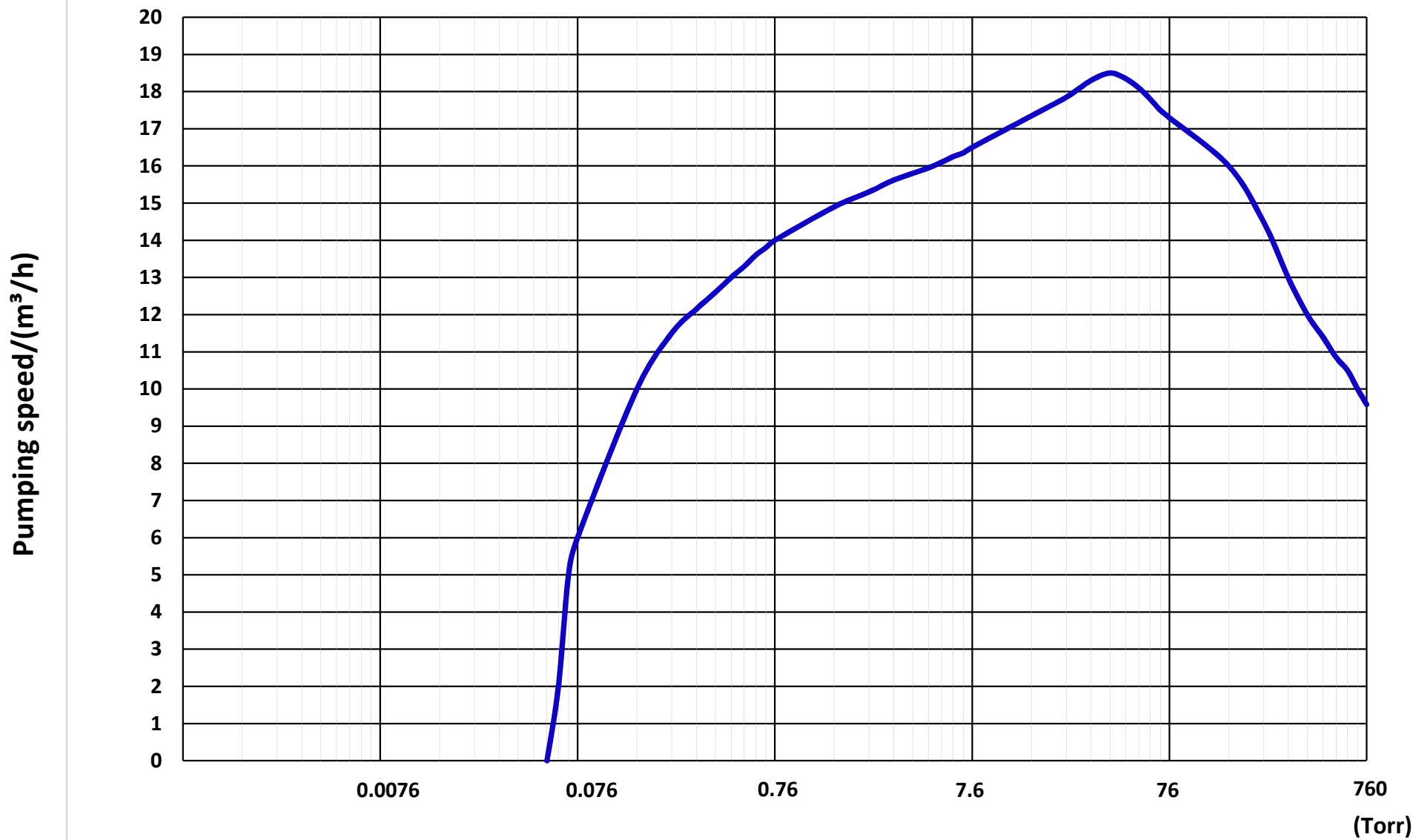


PUMP MODEL		DS-7	DS-11
Nominal Capacity	CFM	7	10.7
Speed	RPM	1800	1800
Motor	W	400	400
Noise level	db(A)	54	54
Inlet/Discharge	Inch	KF25 (1")	KF25(1")
Weight	Lb	62	64
Ultimate Vacuum	Microns	6	45

DRY SCROLL VACUUM PUMP: MODEL DS-7

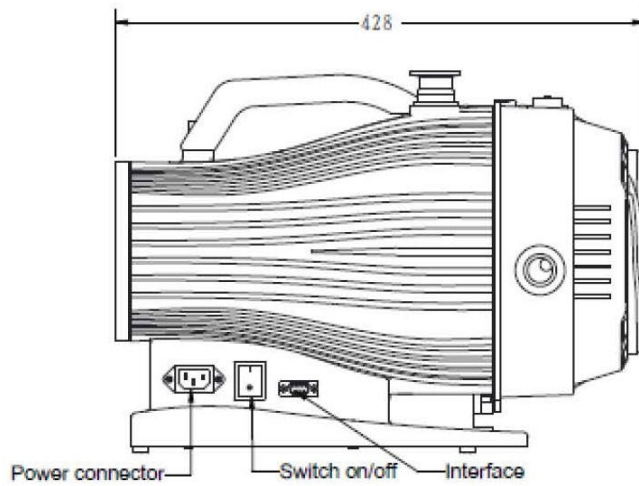
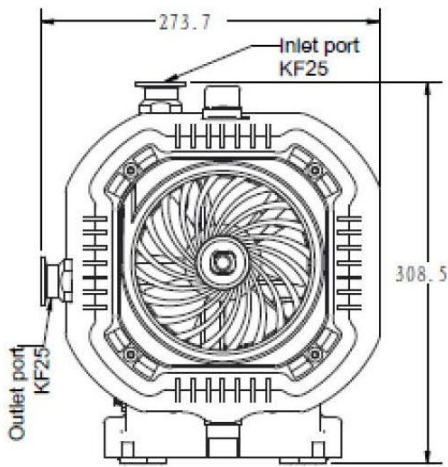
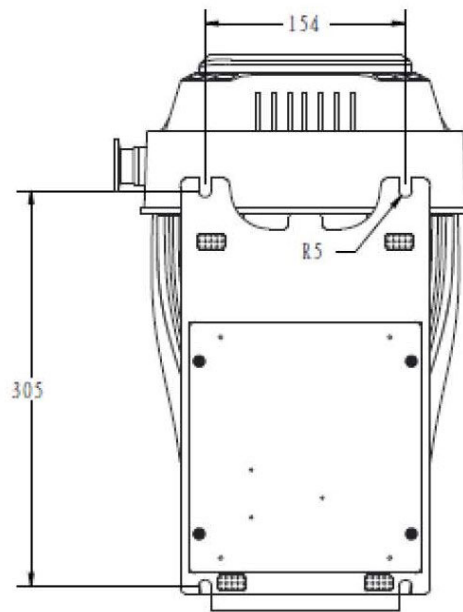


DRY SCROLL VACUUM PUMP: MODEL DS-11



DIMENSIONS (mm)

DS-7/11



Inches = mm/25.4

US VACUUM

US Vacuum Pumps LLC
P.O. Box 909 Canton, TX 75103
Phone: (888) 416-7366 Fax: (877) 416-7599
WEB: www.usvacuumpumps.com