

DRP SERIES

Dry Piston Vacuum Pumps

3.7-12.5 CFM



DRP Series Dry Piston Vacuum Pumps

The DRP series are 100% oil-less rocking piston vacuum pumps. They are designed to operate on a continuous basis at any point from atmospheric pressure to the pumps' ultimate vacuum level (10-60 torr depending on the pump model). These pumps are ideal for applications where oil or water sealed pumps are objectionable.

The units are supplied with electric motor (w/ thermal protector), vacuum gauge, hose connector, exhaust silencer/muffler, support legs and a heavy duty 120v (15A) power cord with N. American plug and on-off switch.

Applications include medical, dental, chip mounting/holding, air sampling, vacuum packaging, material handling, environmental equipment and others.

FEATURES

- Oil-less operation
- Low noise & Light weight
- Stainless steel valves
- Virtually maintenance-free
- Vacuum to 27.5”Hg (DRPS)
- Vacuum to 29.5”Hg (DRPC)

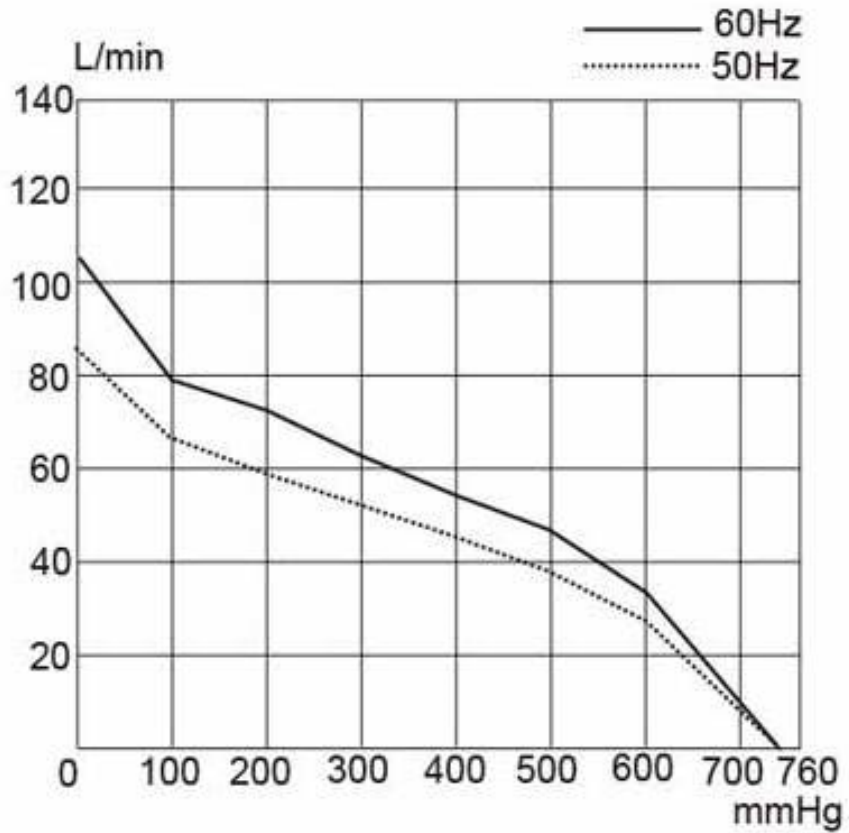


SPECIFICATIONS

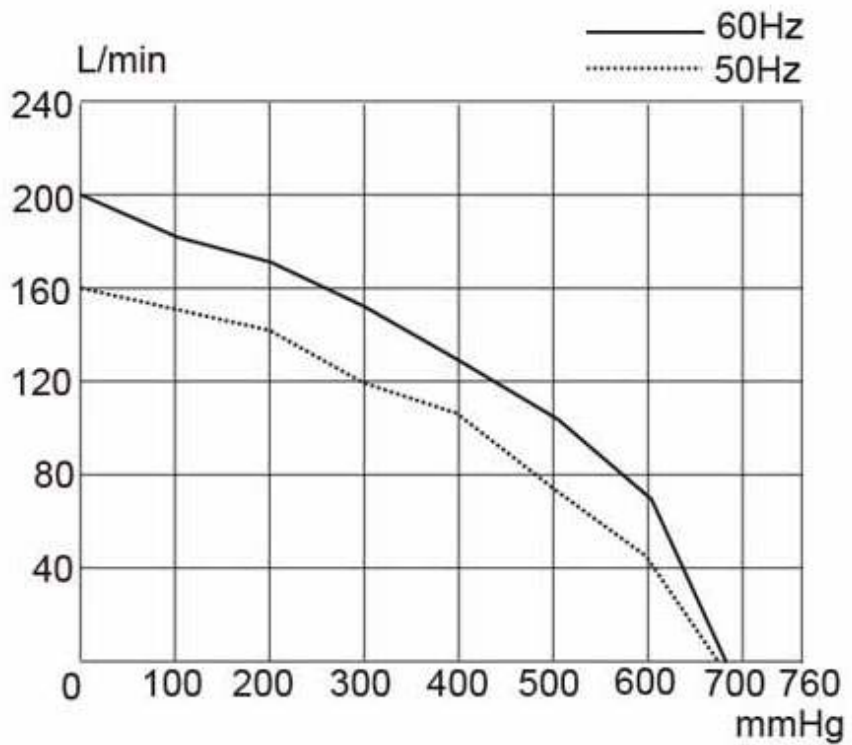
Pump Model		DRPC-4	DRPS-7	DRPS-13
Displacement	CFM	3.7	7	12.5
Ultimate Vacuum	Torr	10 (29.5”Hg)	60 (27.5”Hg)	
Motor	Hp	.67 (500W)	.67 (500W)	1.33 (1000W)
Motor type		Capacitor Start w/ thermal protection & cooling fan; 120 v, 60hz		
Noise Level	dBa	58	58	68
Inlet connection	in.	1/4”	1/4”	1/2”
Dimensions	IN.	9.84” (L) x 5.12 (W) x 7.99 (H)		84” (L) x 5.12 (W) x 7.99 (H)
Pump Weight	Lbs.	20	20	49

PERFORMANCE

DRPC-4



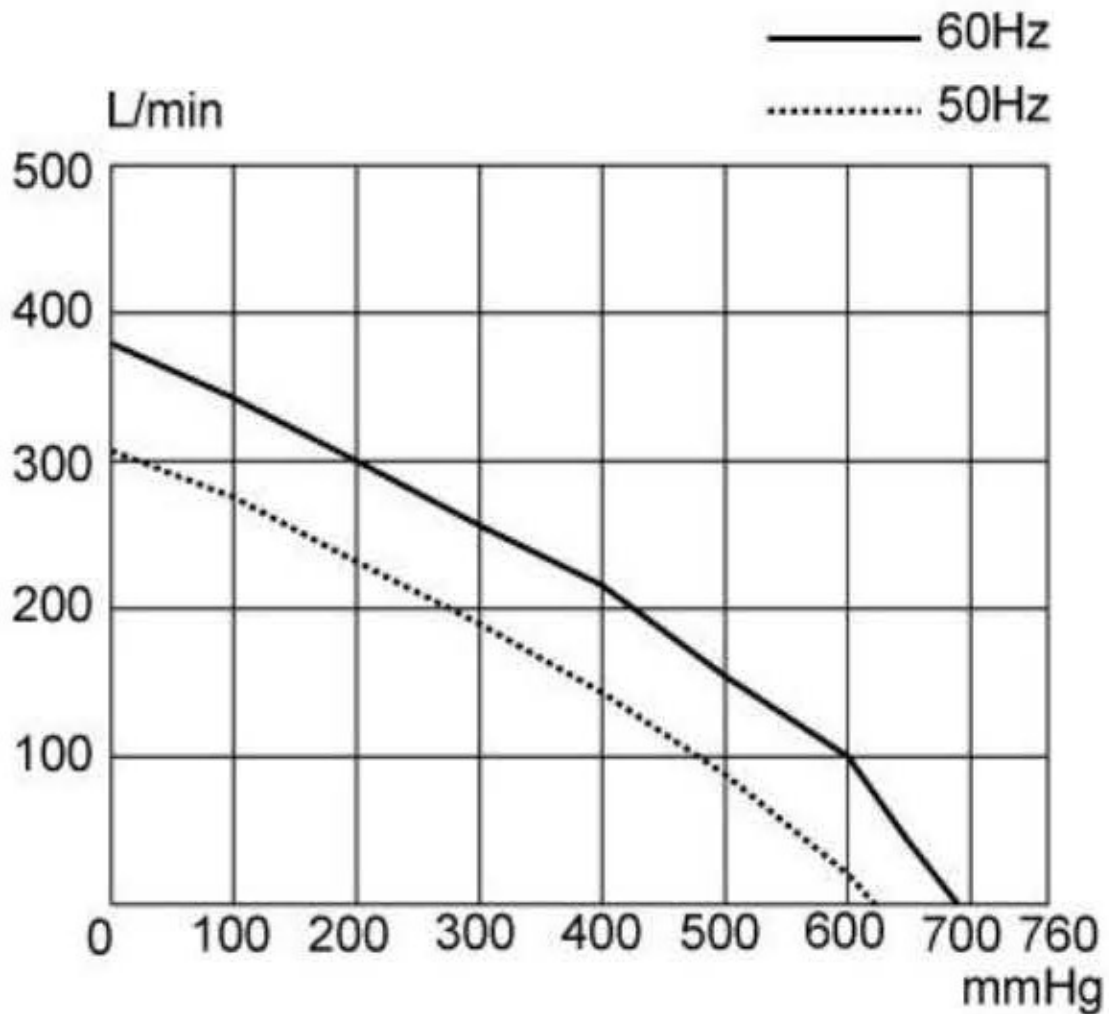
DRPS-7



FLOW CONVERSION
L/M X 0.035 = CFM

PERFORMANCE

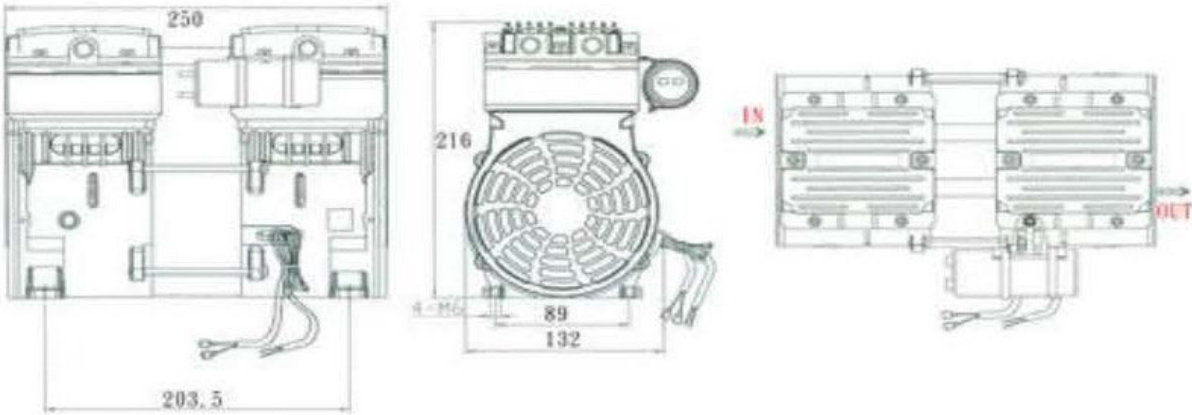
DRPS-13



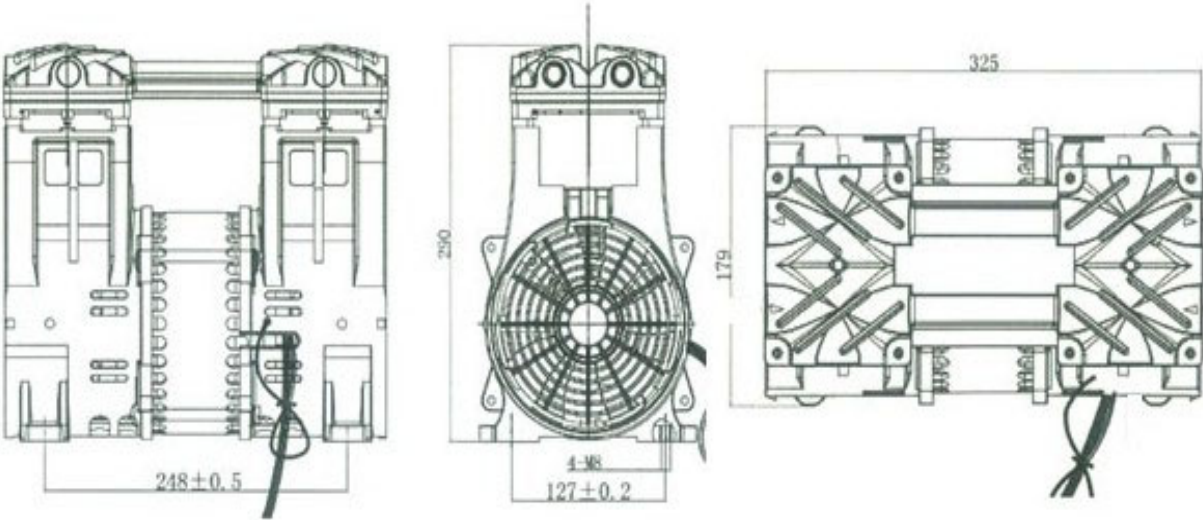
FLOW CONVERSION
L/M X 0.035 = CFM

DIMENSIONS

DRPC-4 & DRPS-7



DRPS-13



US VACUUM

US Vacuum Pumps LLC P.O. Box 909 Canton, TX 75103
Phone: (888) 416-7366 Fax: (877) 416-7599 WEB: www.usvacuumpumps.com