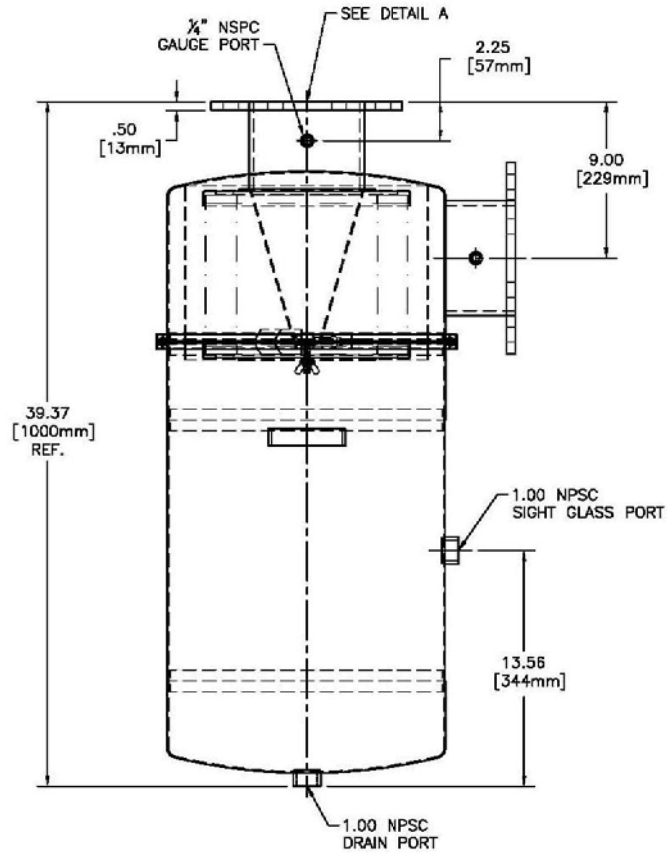


DETAIL A
 SCALE 1:1



LIQUID SEPARATOR

MODEL 3520-LS15

800 CFM FLOW

6" FLANGE

